

INSTRUCTION MANUAL JUICE EXTRACTOR

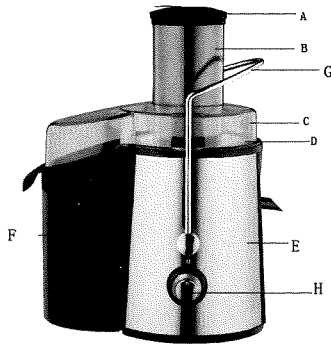


**PLEASE READ THIS MANUAL
CAREFULLY BEFORE USING IT.**

Made in PRC

**IMPORTED BY: ROMICO J.T.TRADERS LTD
11 DIOS STR.,1056 NICOSIA-CYPRUS**

www.matestar.eu



General description

- A Pusher
- B Feeding tube
- C Lid
- D Filter
- E Juice collector
- F Pulp container
- G Clamps
- H Control knob

Important

Read these instructions for use carefully before using the appliance and save them for future reference.

- Check if the voltage indicated on the base of the appliance corresponds to the local mains voltage before you connect the appliance.
- Do not use the appliance when the mains cord, the plug or other components are damaged. If so, please check with an authorized service center for repair.
- This appliance is intended for household use only.
- Keep the appliance out of the reach of children.
- Never let the appliance operate unattended.
- Check the filter every time you want to use the appliance. If you detect any cracks or damage, do not use the appliance.
- Make sure all parts are mounted correctly, and both clamps are locked before you switch on the appliance.
- Do not operate the juicer for more than 45S at a time when juicing heavy loads and let it cool

down for 1/2 min before reuse.

- Never reach into the feeding tube with your fingers or any sharp object while the appliance is running. Only the pusher is to be used for this purpose.
- Only unlock the clamp after you have switched the appliance off the filter has stopped rotating
- Do not touch the small cutting blades in the base of the filter.
- Always unplug the appliance after using.
- Never immerse the motor unit in water or any other liquid. Do not rinse it either.

Preparing for use

The appliance is equipped with a safety system. It won't work if the parts have not been mounted properly.

- 1- Place the juice collector in place.
- 2- Put the filter in the juice collector. Make sure the filter is fitted securely onto the driving shaft "click".
- 3- Hold the lid over the filter and lower it into position.
- 4- Snap the two clamps onto the lid to lock it into place "click". Make sure the clamps are locked into position on either side of the lid.
- 5- Slide the pusher into the feeding tube by aligning the groove in the pusher with the small protrusion on the inside of feeding tube.

Using the appliance

The appliance will only function if all parts have been properly assembled and the lid has been properly locked in place with the clamps.

- 1- Wash the fruit and/or vegetables and cut them into pieces that fit onto the feeding tube.
- 2- Make sure the juice jug has been placed under the spout. Switch the appliance on.
- 3- Put the pre-cut pieces in the feeding tube and gently press them down towards the rotating filter by the pusher.

Do not exert too much pressure on the pusher, as this could affect the quality of the end result and it could even cause the filter to come to halt.

After you have processing all ingredients and the juice flow has stopped, switch the appliance off and wait until the filter has stopped rotating.

Tips

- Use Fresh fruit and vegetables, as they contain more juicer.
- You do not have to remove skin peels or skins. Only thick peels, such as those of oranges, pineapples and unpeeled beetroots need to be removed. Also remove the white peel of citrus fruits because it has a bitter taste.
- Apple juice turns brown very quickly. You can slow down this process by adding a few drops of lemon juice.
- Fruits that contain starch, such as bananas, papayas, avocados, figs and mangos are not suitable for processing in the juicer. Use a food processor or blender to process these fruits.
- To extract the maximum amount of juice, always press the pusher down slowly.
- The juicer is not suitable for processing very hard and/or fibrous/starchy fruits or vegetables such as sugar cane.

Cleaning

- The appliance is easier to clean if you do so immediately after use.
- Do not use abrasive cleaning agents, scourers, acetone, alcohol, etc. to clean the appliance.
- All detachable parts except motor are dishwasher safe.

1- Switch the appliance off, remove the plug from the wall socket and wait until the filter has stopped rotating.

2- Remove the dirty parts from the motor unit.

Disassemble the appliance in the following order:

- ◇ Remove the pusher;
- ◇ Open the clamps;
- ◇ Remove the lid.

3- Remove the juice collector together with the filter.

4- Clean these parts with the cleaning brush in warm water with some washing up liquid and rinse them under the tap.

5- Clean motor unit with a damp cloth. Never immerse the motor unit in water nor rinse it under the tap.

Problem

The appliance does not work.

The motor unit gives off an unpleasant smell the first few times the appliance is used.

The appliance makes a lot of noise, gives off an unpleasant smell, is too hot to touch, gives off smoke etc.

The filter is blocked.

The filter touches the feeding tube or vibrates strongly during processing.

Solution

The appliance is equipped with a safety system. It won't work if the parts have not been mounted properly. Check whether the parts have been assembled in the right way, but switch off the appliance before you do so.

This is not unusual. If the appliance continues to give this smell after a few times, check the quantities you are processing and the processing time.

Switch the appliance off and unplug it. Check with the service center.

Switch the appliance off, clean the feeding tube and the filter and process a smaller quantity.

Switch the appliance off and unplug it. Check if the filter has been properly placed in the juice collector.

The ribs in the bottom of the filter should fit properly onto the driving shaft. Check if the filter is damaged. Cracks, crazes, a loose grating disc or any other irregularity may cause malfunction.

Note:

If you detect any cracks or damage in the filter, do not use the appliance any more.

IMPORTANT:

This appliance is not intended for use by persons (including children) with reduced physical, sensory or mental capabilities, or lack of experience and knowledge, unless they have been given supervision or instruction concerning use of the appliance by a person responsible for their safety. Children should be supervised to ensure that they do not play with the appliance.

TECHNICAL Data:

220-240V, 50-60Hz, 1000 W

PLEASE FILL YOUR DETAILS FOR FUTURE USE

GUARANTEE CARD

CUSTOMER'S DETAILS

NAME OF BUYER
ADDRESS
TELEPHONE

DETAILS OF SHOP

NAME OF SHOP
RECEIPT VOUCHER NO.
DATE OF PURCHASE

APPLIANCE DETAILS

TYPE OF APPLIANCE
MODEL NO.
SERIAL NO.

